

LUMINOUS


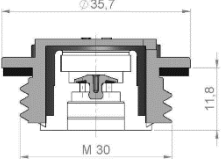
Tubular Gel VRLA Battery

Model: IGSTEX J175

Deep-cycle gel batteries feature a number of important design characteristics that provide significant advantages over competing gel products. The gelled electrolyte is a proprietary formulation that delivers consistent performance and extends the battery's cycle life.



MODEL:	IGSTEX J175
BATTERY:	Tubular Gel VRLA Battery
VOLTAGE:	12V
DIMENSIONS:	Millimeter
COLOR:	Blue (case) Grey (cover)
MATERIAL:	Polypropylene

FEATURES	ADVANTAGES
Gel Technology	InverGel is filled with Gel. It requires no water top up and is completely spillage proof & Maintenance free.
Gelled Electrolyte	No electrolyte stratification, no plate shedding, No failure due to PSOC, Consistent backup through-out the life , Long life
High Grade imported Separator	Less electrical resistance, High oxidation resistance, high porosity. High charging efficiency.
Imported PRV (Pressure release valve)	  <p>Explosion proof, Self-releasing, Regulate the internal gassing pressure.</p>
Environment friendly and safe	Environment friendly and safer as it emits no fumes and absolutely maintenance free.

TECHNICAL SPECIFICATION						
Model Nomenclature	Voltage	Capacity @ C20	Battery Overall Dimensions (± 3 mm)			Battery weight (±3%)
IGSTEX J175	12V	175Ah	Length	Width	Overall Height	65 Kgs
			518	274	286	

CHARGE CHARACTERISTICS (27°C)	
Cycle Use	Standby Use
14.40 - 14.80V (-40mV/°C), Maximum Current 30A	13.60 - 13.80V (-20mV/°C)

*Battery to be recharged in CV mode only

OPERATIONAL DATA	
OPERATING TEMPERATURE	SELF DISCHARGE
-4°F to 113°F (-20°C to +45°C). At temperatures below 32°F (0°C) maintain a state of charge greater than 60%.	Less than 3% per month at 20°C temperature conditions.

CHARGING TEMPERATURE COMPENSATION	
ADD	SUBTRACT
0.005 Volt per cell for every 1°C below 25°C 0.0028 Volt per cell for every 1°F below 77°F	0.005 Volt per cell for every 1°C above 25°C 0.0028 Volt per cell for every 1°F above 77°F

LUMINOUS

ELECTRICAL SPECIFICATION

CAPACITY AMP-HOURS (Ah)	
20Hr (8.75A, 10.50V)	10Hr (15A, 10.50V)
175	150

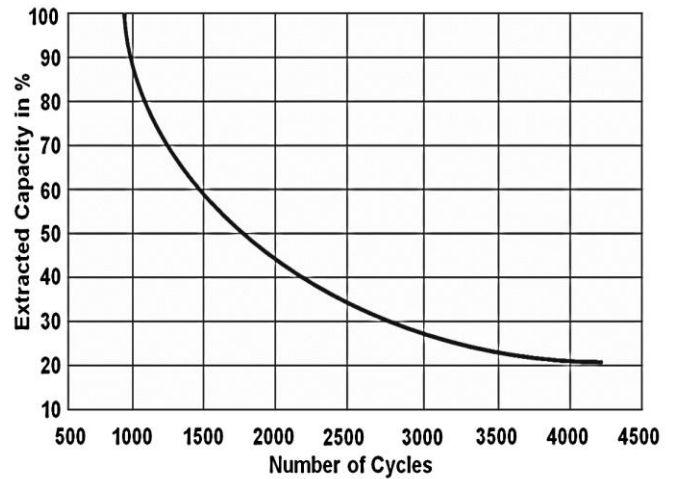
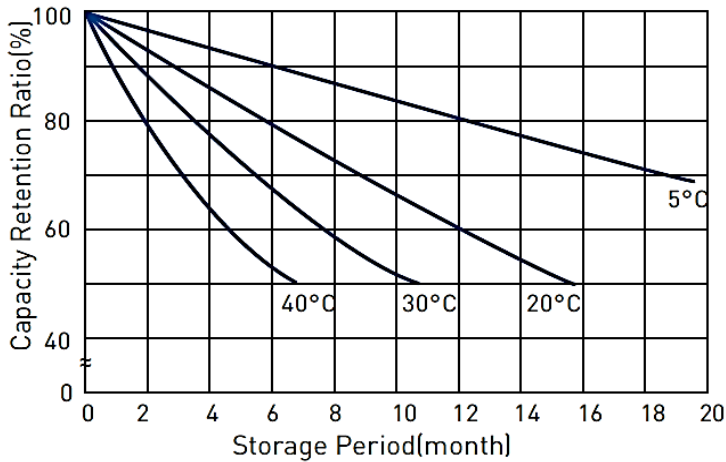
CONSTANT POWER DISCHARGE PERFORMANCE**

MAXIMUM BACKUP DURATION (HH:MM)						
700W	600W	500W	400W	300W	200W	100W
01:50	2:25	03:20	04:30	6:10	10:50	18:50

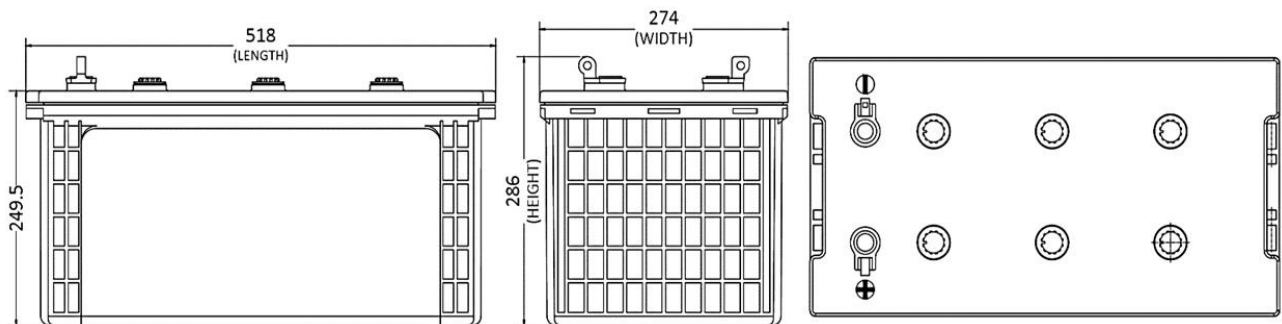
** All test data based on stabilized battery capacity on new battery, under controlled laboratory test conditions

SELF DISCHARGE CHARACTERISTICS

TYPICAL CYCLE LIFE IN A STATIONARY APPLICATION @ 27°C



BATTERY DIMENSIONS:



Dimensions are based on nominal size.

Disclaimer: Specifications may change due to continual improvement and change in product design.

Contact us:-

Luminous Power Technologies Pvt. Ltd.

Plot No. 150, Sector 44, Gurgaon, Haryana – 122003 (India)

Email : sales@luminous-global.com | Website: www.luminous-global.com